

M.2 (P80) 4TE2

HIGHLIGHT FEATURES

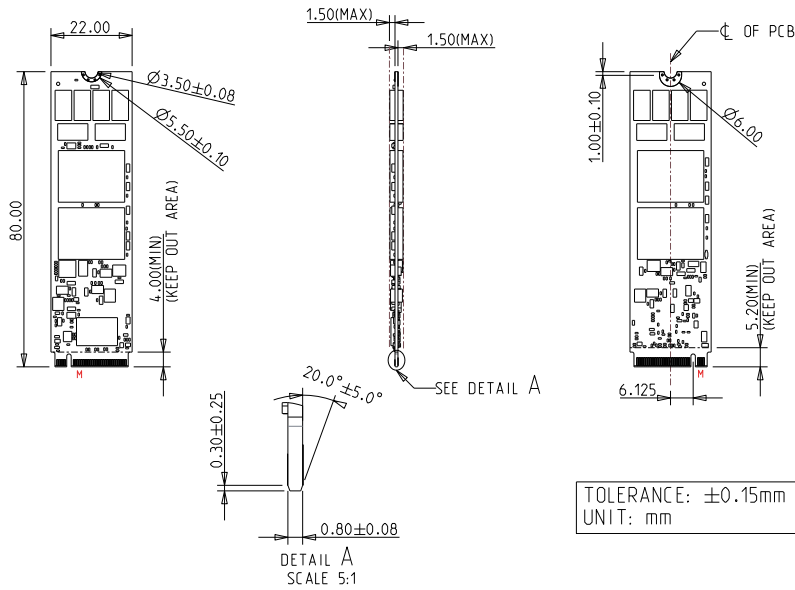
- Equipped with 112-layer 3D TLC NAND Flash
- Excellent data transfer speed
- Dynamic thermal management
- PLP (iCell) technology for power loss protection
- Support TCG Opal 2.0 (Optional)

SPECIFICATIONS

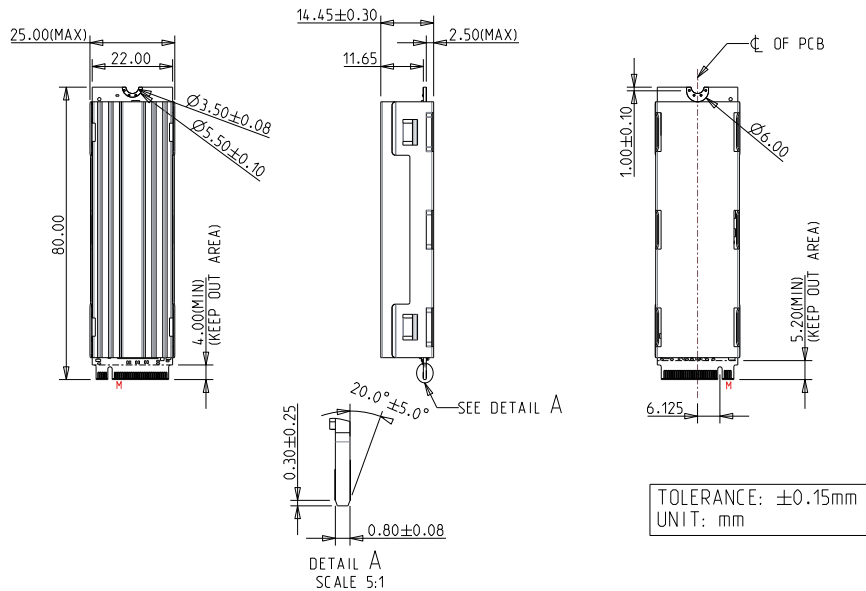
Model Name	M.2 (P80) 4TE2
Flash Type	3D TLC
Interface	PCIe Gen 4 x4
Form Factor	M.2 2280 M Key
Capacity	128GB ~ 2TB
Sequential R / W (MB/sec, max.)	3,550 / 3,300
P/E Cycle	3,000
TBW (Max.)	1,706
Storage Temperature	-40°C ~ 85°C
Max. Power Consumption	5.4W
Max. Channels	4
External DRAM Buffer	N
H/W Write Protect	Y (Optional)
S.M.A.R.T.	Y
AES	Y
TCG Opal	Y
Dimension (W x L x H/mm)	S/T : 22.0 x 80.0 x 3.8 W/T with heatsink : 25.0 x 80.0 x 14.45
Vibration	20G@[7 ~ 2000Hz]
Shock	1500G@0.5ms
MTBF	>3 million hours
Warranty	3 Years

DIAGRAM

ST



WT



The appearance of silicone oil seeping out from the inside of the thermal pad is a normal occurrence. Silicone oil is not electrically conductive, so it does not impact the functionality of SSD.

ORDER INFO.

Operating Temperature	Standard Grade (0°C ~ 70°C)	Industrial Grade (-40°C ~ 85°C)
128GB	DEM28-A28DF1KCADF(P)	DEM28-A28DF1KWADF(P)H
256GB	DEM28-B56DF1KCAQF(P)	DEM28-B56DF1KWAQF(P)H
512GB	DEM28-C12DF1KCAQF(P)	DEM28-C12DF1KWAQF(P)H
1TB	DEM28-01TDF1KCAQF(P)	DEM28-01TDF1KWAQF(P)H
2TB	DEM28-02TDF1KCAQF(P)	DEM28-02TDF1KWAQF(P)H

(P) : PLP (iCell) (Optional)

For TCG OPAL function, the PN Code 10th ~12th will be DF2.

HQ (Taiwan) T +886-2-7703-3000 / E sales@innodisk.com

CN T +86-755-2167-3689 / E sales_cn@innodisk.com

US T +1-510-770-9421 / E usasales@innodisk.com

EU T +31-40-3045-400 / E eusales@innodisk.com

JP T +81-3-6667-0161 / E jp_sales@innodisk.com

innodisk