

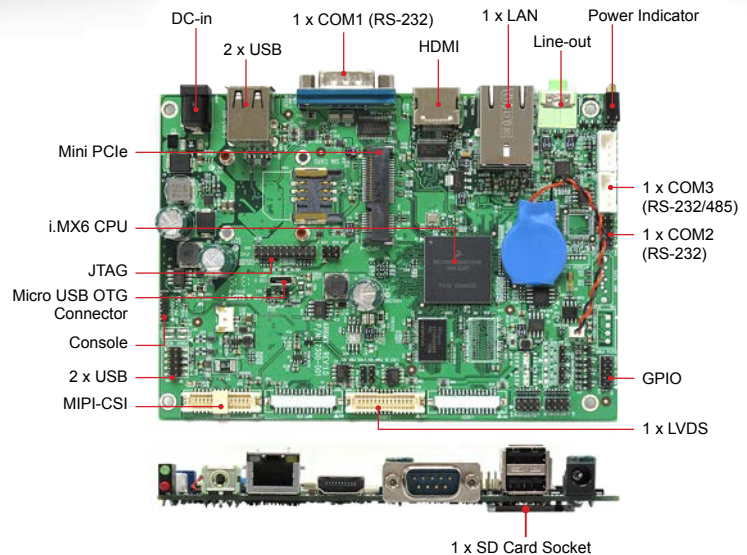
AR6MXS

ARM Platform

NXP i.MX6 Cortex A9 Solo Core
ARM Motherboard (SBC)

Features

- NXP® i.MX6 Cortex A9 Solo Core 1.0 GHz
- 1 GB onboard DDR3 Memory
- Dual Display: 1 x HDMI, 1 x 18-bits LVDS
- MIPI-CSI Camera Interface onboard
- SD Card Socket
- Optional eMMC Flash
- 4 x USB
- 1 x Micro USB OTG Connector
- 9V - 24V DC Input



Specifications

System

CPU	NXP i.MX6 Cortex A9 Solo Core 1.0 GHz
System Memory	1 GB onboard DDR3 Memory
Storage	Optional eMMC Flash
Bluetooth & WiFi	Optional Through Mini-PCIe Module
Audio	Wolfson® WM8960 Ultra Low Power Audio Codec
Ethernet	Micrel® KSZ9031 Gigabit Ethernet
Expansion	1 x SD Card Slot 1 x Mini PCIe

OS Support

Android	Android JB 4.3.1 Android KK 4.4.2 Android L5.0.1 (Check Latest Version Online)
Linux	Ubuntu 12.04 Linux Ubuntu 14.04.2 kernel 3.10.53 Linux Ubuntu 14.04.3 kernel 3.14.28 (Check Latest Version Online)
Other	Linux Yocto kernel 3.10.53 (Check Latest Version Online)

Video

Video Interface	LVDS, MIPI-CSI
Video Processing Unit	OpenGL® ES 2.0 and OpenVG™ 1.1 Hardware Accelerators & Multi-Format HD1080p Video Decoder and HD720p Video Encoder Engine

Rear I/O

Audio Interface	1 x Line-out
USB	2 x USB Connectors
COM (Serial Port)	1 x RS-232 Connector
HDMI	1 x HDMI Connector
LAN	1 x RJ-45 Connector
DC-in	1 x Barrel Type Connector

Onboard I/O

LVDS	1 x LVDS Header
Image Capture Interfaces	1 x MIPI-CSI Connector
USB	1 x 2x5 USB Headers (2 Ports) and 1 x Micro USB OTG connector
COM (Serial Port)	1 x RS-232 and 1 x TTL
DIO	1 x 2x5 GPIO Pin Header
MIO	1 x Front Panel Pin Header

Mechanical & Environment

Power	9V ~ 24V DC Input
Operating Temp.	0 ~ 60°C
Storage Temperature	-20 ~ 80°C
Operating Humidity	5 ~ 90% Relative Humidity, Non-condensing
Form Factor	Single Board Computer
Dimensions (L) x (W)	5.7 in x 4 in
Weight	0.44 lbs

Ordering Info

AR6MXS	NXP i.MX6 Cortex A9 Solo Core 1.0 GHz ARM Motherboard
AR6MXS-DEV-LX	NXP i.MX6 Cortex A9 Solo Core 1.0 GHz ARM Motherboard with 8GB SSD pre-loaded with Linux, null-modem serial cable, AC power adapter, USB OTG cable, misc USB and RS232 cables
AR6MXS-DEV-AN	NXP i.MX6 Cortex A9 Solo Core 1.0 GHz ARM Motherboard with 8GB SSD pre-loaded with Android, null-modem serial cable, AC power adapter, USB OTG cable, misc USB and RS232 cables
AR6MXS-LCD-LX	Development kit includes one AR6MXCS motherboard, 8 GB MicroSD Card pre-loaded with Linux OS, USB to TTL Cable, USB OTG Cable and 5V AC Adapter
AR6MXS-LVD-AN	AR6MXS Development Kit with 10" LCD, enclosure and Android OS. The kit comes with a 10 inch touch LCD, enclosure, power adapter, Null-modem Serial Cable, USB OTG Cable, SD card with pre-loaded OS, Wi-Fi module, two antennas



* All product specifications and images are subject to change without notice.
Last update: 2/11/2016